

16" WHEELCHAIR

MODEL #45735

ASSEMBLY & OPERATING INSTRUCTIONS



3491 Mission Oaks Blvd., Camarillo, CA 93011
Visit our Web site at <http://www.harborfreight.com>

Copyright © 2001 by Harbor Freight Tools. All rights reserved. No portion of this manual or any artwork contained herein may be reproduced in any shape or form without the express written consent of Harbor Freight Tools.

For technical questions please call 1-800-444-3353

SPECIFICATIONS

ITEM	DESCRIPTION
Wheelchair (Portable)	Steel Tubing 0.870" OD-Cast Aluminum-Chrome Plated
Seat & Backrest w/pouch	Blue Vinyl
Padded Arm Rests	4" Long-Blue Vinyl
Solid Rubber Tires & Hubs (front)	Grey-1" Wide X 8" Diameter
Solid Rubber Tires & Hubs (back)	Grey-1" Wide x 22" Diameter
Spoke Hub	w/Ball Bearings
Swing Away Footrests	360° Swivel
Side Panels	Stainless Steel
Weight Capacity	250 Lbs.
Net Weight	41.40 Lbs.
Overall Dimensions	35" High at Handle Grip, 30" Height at Armrest, 20" High at Seat, 24" Wide at Wheel Hubs, 18" Wide at Handle/Grips, 16" Wide Between Armrest, Fold-Up 10" Wide at Hubs, 36-5/8"L, 35"H, Seat 16" Square.

SAVE THIS MANUAL

You will need the manual for the safety warnings and precautions, assembly instructions, operating and maintenance procedures, parts list and diagram. Keep your invoice with this manual. Write the invoice number on the inside of the front cover. Keep the manual and invoice in a safe and dry place for future reference.

SAFETY WARNINGS AND PRECAUTIONS

1. **KEEP PRODUCT USAGE AREA CLEAN.** Cluttered areas invite injuries.
2. **KEEP CHILDREN AWAY FROM PRODUCT.** Do not allow children to ride or push this wheelchair without supervision.
3. **STAY ALERT.** Watch what you are doing at all times. Use common sense. Do not operate this product when you are tired or distracted.
4. **CHECK FOR DAMAGED PARTS.** Before using this product, carefully check that it will operate properly and perform its intended function. Check for damaged parts and any other conditions that may affect its operation. Replace or repair damaged or worn parts immediately.
5. **LOCK BRAKES ON WHEELS.** Whenever sitting a person in or removing a person from the Wheelchair, always lock both Brakes.
6. **TO AVOID INJURY** while folding and unfolding the wheelchair, be sure hands and fingers do not become pinched in moving parts.

7. **TO AVOID TIPPING, DO NOT LEAN FORWARD** out of the Wheelchair further than the length of the armrests. Do not attempt to reach objects by moving forward on the Wheelchair seat. Do not attempt to reach objects by reaching between your knees. Do not lean over the top of the backrest, because it will shift your center of gravity and may cause you to tip over.
8. **DO NOT ATTEMPT TO CLIMB OR DESCEND** a slope steeper than 9%. The Wheelchair will become unstable and difficult to control when rolling up or down steep hills.
9. **DO NOT ATTEMPT TO SLOW DOWN OR STOP A MOVING WHEELCHAIR WITH THE WHEEL LOCKS.**
10. **WHEN TRANSFERRING TO OR FROM THE WHEELCHAIR, DO NOT STAND ON THE FOOTPLATES.**
11. **WHEN PROPELLING THE WHEELCHAIR**, carefully use wheel hand rails; be careful not to pinch fingers and hands in the wheel spokes.
12. **BEFORE ALLOWING A PATIENT TO USE THIS WHEELCHAIR**, review with the patient's physician to make sure this Wheelchair is appropriate to meet the patients needs.
13. **MAINTENANCE AND ADJUSTMENTS** should only be performed by a qualified technician.

WARNING: The warnings, cautions and instructions discussed in this instruction manual cannot cover all possible conditions and situations that may occur. It must be understood by the operator that common sense and caution are factors which cannot be built into this product, but must be supplied by the operator. This is only a guideline. The individual Wheelchair user may develop his/her own methods in operating safely.

UNPACKING

When unpacking, check to make sure all parts shown on the Parts List (page 6) are included. If any parts are missing or broken, please call Harbor Freight Tools at the number shown on the cover of this manual as soon as possible.

ASSEMBLY INSTRUCTIONS

NOTE: All parts below refer to the parts listed on page 6 of this manual.

ASSEMBLY OF WHEELCHAIR

1. Remove the Wheelchair from the shipping carton and position yourself so that you are facing one side of the folded chair.
2. Tilt the Wheelchair toward you with the Large Wheel Assembly (#6) and Small Wheel (#4) slightly off the ground.
3. Press down on the Seat (#5) (Side tube furthest from you) and the Wheelchair will unfold smoothly. See Figure 1.
4. Attach Rt. and Lft. Foot Rests (#2) by lining up holes and pegs on front Wheelchair frame and swing Foot Rest into position. See Figure 2.



Figure 1



Figure 2

5. Always swing out Foot Rests (#2) before standing up from chair. To remove Foot Rests (#2) swing out and lift up lever. (See Figure 3)

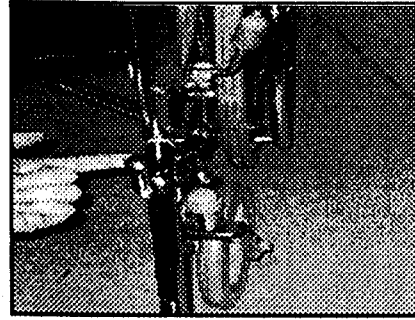


Figure 3

6. Attach Velcro Foot Strap (#6) on Foot Rests (#2) when Foot Rests are in place. Remove the Velcro Foot Strap (#6) before trying to swing out Foot Rests or remove Foot Rests. While sitting in the Wheelchair, test the wheel locks by moving the wheel lock levers to make sure the locks adequately lock the wheels. Adjustments in the wheel locks should be done by a qualified technician. (See Figure 4)



Figure 4

7. Fold up chair by tilting on Large Wheel and Small Wheel and holding Hand Grips (#7) while pushing both sides together. (See Figure 5 and 6)

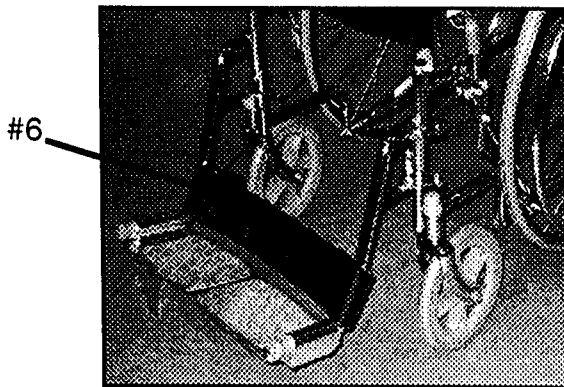


Figure 5



Figure 6

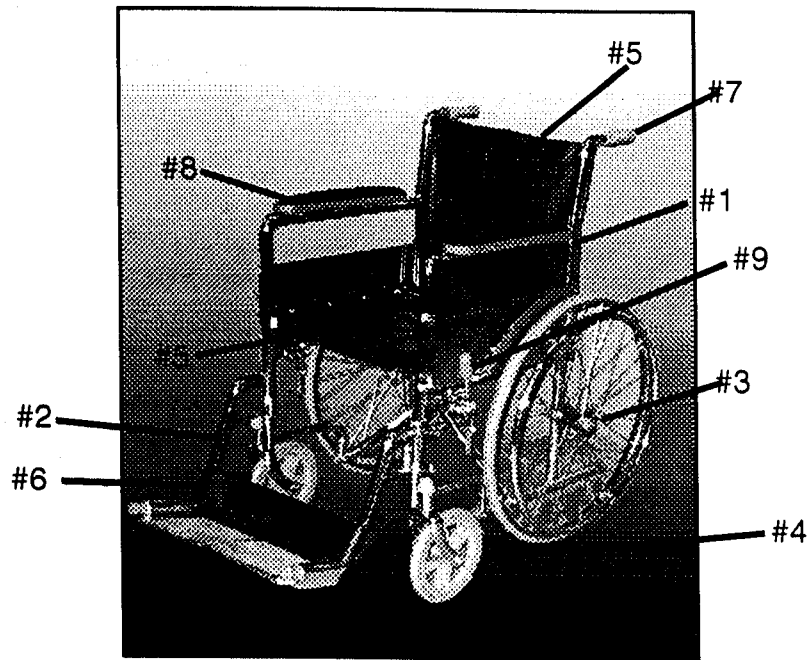
Caution: Never exceed the 250 pound maximum weight limit.

WARNING

Operating a Wheelchair takes practice. Please be mindful of tipping and always use the Wheel Locks when stationary.

FEATURE LISTING

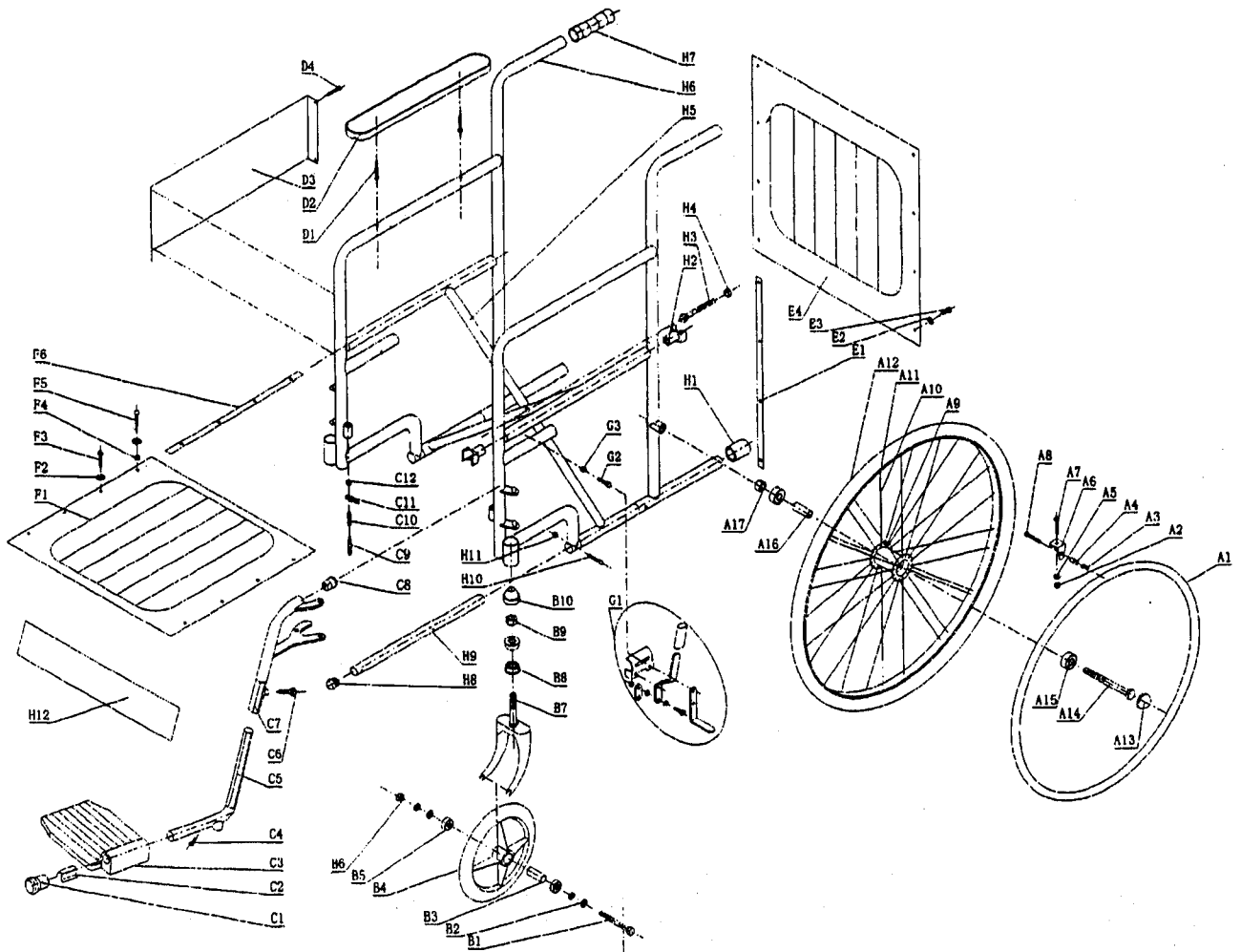
PART #	DESCRIPTION	QTY
1	Wheelchair	1
2	Collapsible (Detachable) Foot Rests-Rt. Lft.	2
3	Large Wheel Assembly	2
4	Small Wheels	2
5	Seat Upholstery (Back w/Pouch & Seat)	1
6	Velcro Foot Straps	1
7	Hand Grips	2
8	Side Panels w/Padded Arm Rests	2
9	Wheel Locks	2



PARTS LIST

No.	NAME	QT.	No.	NAME	QT.	No.	NAME	QT.
A1	hand rim	2	C9	pin	2	H6	frame	2
A2	nut M5	8	C10	spring	2	H7	grip	2
A3	riveted nut M5	8	C11	handle	2	H8	pipe tip plug	2
A4	dividing bushing	8	C12	nut M6	2	H9	bottom inner pipe	2
A5	washer 5	8				H10	screw M5X30	4
A6	rim claw	8				H11	nut M5	4
A7	screw M5X12	8				H12	calf support	1
A8	screw M5X35	8	D1	screw M5X30	4			
A9	hub	2	D2	arm rest	2			
A10	spoke 14#	56	D3	cloth guard	2			
A11	rim 24"	2	D4	tapping screw ST4.8X13	4			
A12	tire 24"X1 3/8	2						
A13	dust guard	2						
A14	hub shaft	2						
A15	bearing	4	E1	back rest strap	2			
A16	bushing	2	E2	washer 5	8			
A17	nut M12X1.25	2	E3	tapping screw ST4.8X19	8			
			E4	back rest	1			
B1	bolt M8X80	2						
B2	washer 8	8	F1	seat	1			
B3	bushing	2	F2	washer	8			
B4	caster wheel	2	F3	tapping screw ST4.8X19	2			
B5	bearing	4	F4	nut M5	6			
B6	nut M8	2	F5	screw M5X35	6			
B7	yoke	2	F6	seat strap	2			
B8	bearing	4						
B9	nut M12X1.25	2						
B10	dust guard	2						
			G1	brake	2			
			G2	bolt M6X35	2			
			G3	nut M6	2			
C1	bumper	2						
C2	plate spring	2						
C3	foot rest	2						
C4	tapping screw ST4.8X16	2	H1	frame cap	2			
C5	foot rest support	2	H2	guide tip	4			
C6	bolt M8X16	2	H3	bolt M8X80	1			
C7	leg rest pipe	2	H4	nut M8	1			
C8	pipe tip plug	2	H5	cross rod	2			

PARTS DIAGRAM



PLEASE READ THE FOLLOWING CAREFULLY

THE MANUFACTURER AND/OR DISTRIBUTOR HAS PROVIDED THE PARTS DIAGRAM IN THIS MANUAL AS A REFERENCE TOOL ONLY. NEITHER THE MANUFACTURER NOR DISTRIBUTOR MAKES ANY REPRESENTATION OR WARRANTY OF ANY KIND TO THE BUYER THAT HE OR SHE IS QUALIFIED TO MAKE ANY REPAIRS TO THE PRODUCT OR THAT HE OR SHE IS QUALIFIED TO REPLACE ANY PARTS OF THE PRODUCT. IN FACT, THE MANUFACTURER AND/OR DISTRIBUTOR EXPRESSLY STATES THAT ALL REPAIRS AND PARTS REPLACEMENTS SHOULD BE UNDERTAKEN BY CERTIFIED AND LICENSED TECHNICIANS AND NOT BY THE BUYER. THE BUYER ASSUMES ALL RISK AND LIABILITY ARISING OUT OF HIS OR HER REPAIRS TO THE ORIGINAL PRODUCT OR REPLACEMENT PARTS THERETO, OR ARISING OUT OF HIS OR HER INSTALLATION OF REPLACEMENT PARTS THERETO.